

We have released a new desktop type Glass Contour Solvent Dispensing System.

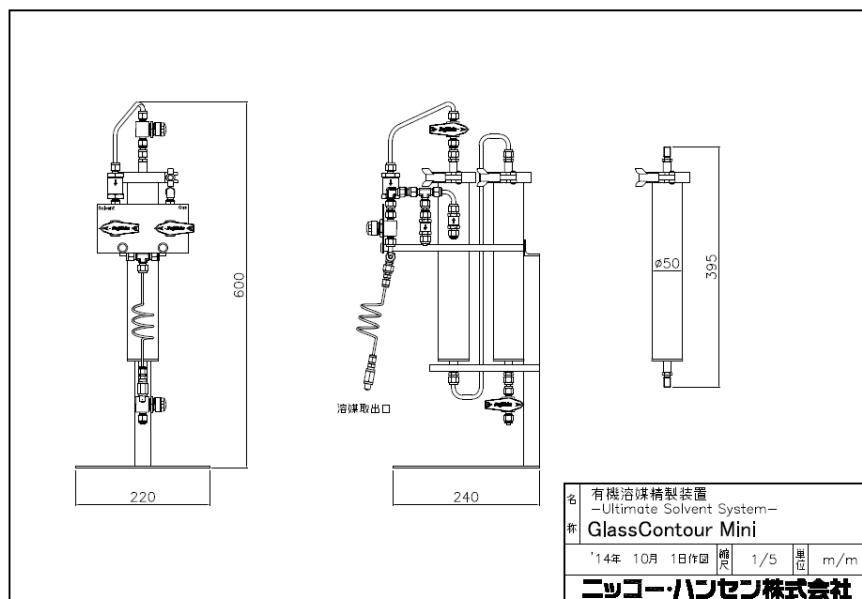
## Glass Contour MINI

No heating, no bulky distillation equipment, no dehydrating or deoxygenating reagents, no need for vacuum transfer, and no need for supervision or a long cooling process. It is safe and can increase your productivity in research work and experiments.

### ■ Feature

- The required setting up space is 220mm(W)×280mm(D)×600mm(H), its compact size allows it to be installed easily in most laboratory spaces.
- There's no change in safety or user-friendliness only a more compact size.
- A 10L tank comes with the Glass Contour MINI.
- It has a lure lock type dispenser.
- About 80L to 100L of HPLC grade of solvent can be purified.  
(Depending upon the kind of solvent)
- It can fit comfortably into a draft chamber or in the corner of a fume hood.

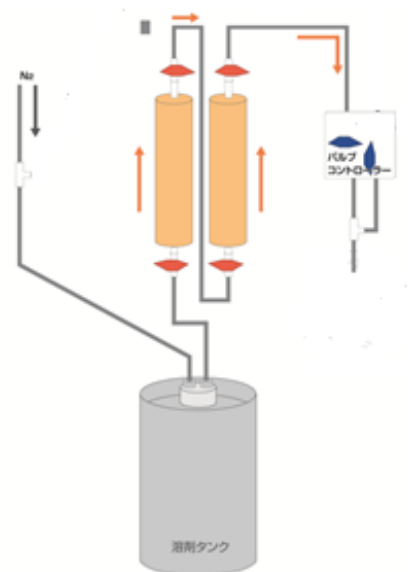
### ■ Drawing



## ■ Producible Solvent List

	SOLVENT
①	Acetonitrile
②	DME (Dimethyl Ether)
③	Diethyl ether
④	DCM (Dichloromethane)
⑤	THF (Tetrahydrofuran)
⑥	1,4-Dioxane
⑦	Chloroform
⑧	Benzene
⑨	Toluene
⑩	Cyclohexane
⑪	Hexane

## ■ System Flow



## ■ Accessory



10L Keg

## ■ Option



Gas Manifold



Keg Cabinet

This product is being distributed by



For inquiries, please contact

NIKKO HANSEN & Co., Ltd.  
 Hansen Division  
 4-15-5, Tenma, Kita-Ku, Osaka, 530-0043 Japan  
 TEL: 81/6/4801-7751 FAX: 81/6/6358/5580  
 Manufacture  
 4-1-131, Shimaya, Konohana-Ku, Osaka, 554-0024  
 Japan  
 TEL: 81/6/6460-1960 FAX: 81/6/6460-1961  
<http://www.nikko-hansen.jp>